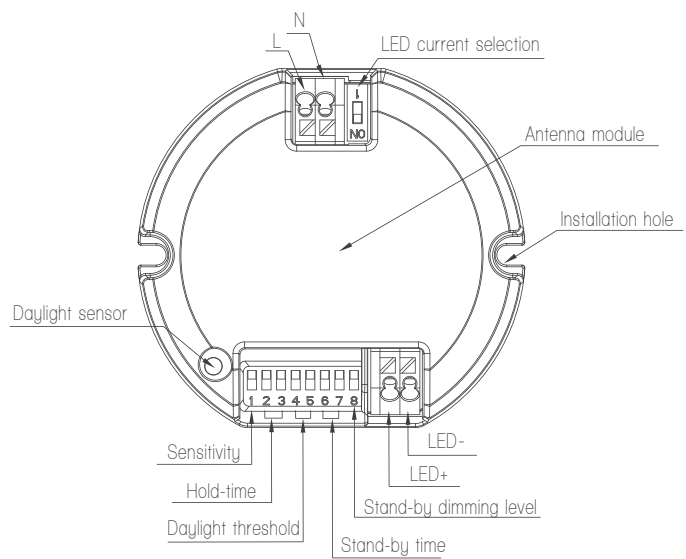
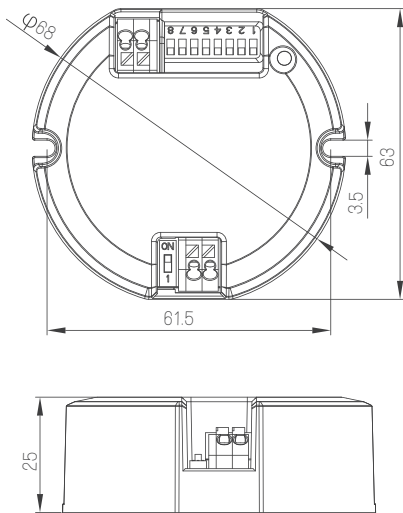


R6240 / R6241 SENSOR SPECIFICATIONS

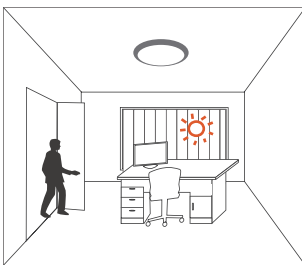


HF detector integrating with LED driver is now the trend. Make your luminaires simple but intelligent now!

Product Feature

Step-dim function

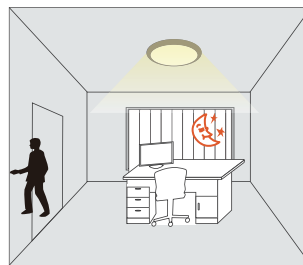
This combo product can turn on the light based on movement. With this detector built in, light is automatically on when needed and dimmed to preset level before it is totally off.



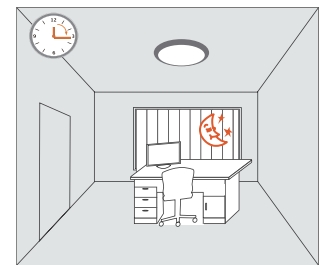
The light keeps off during daytime even when movement is detected. (Ambient lux level is above preset daylight threshold)



With movement and insufficient ambient lux level, the light is triggered on 100% by the detector.

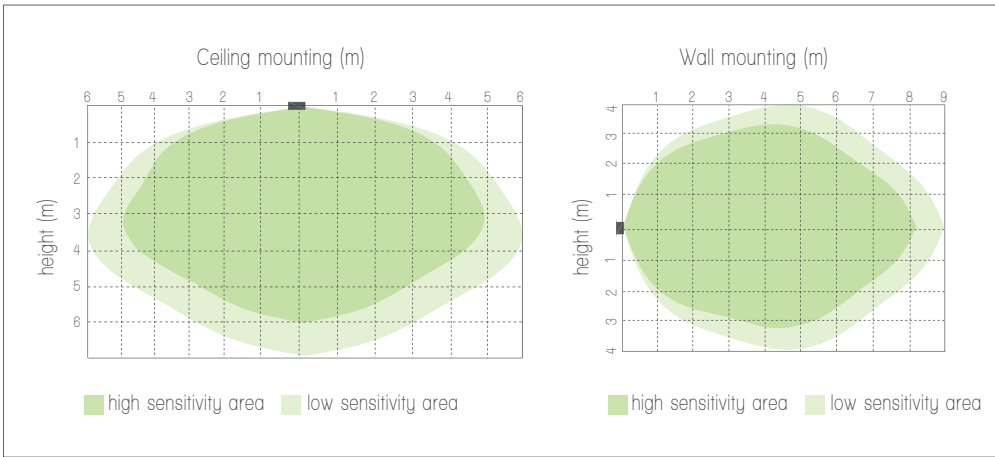


If there is no more movement, the light dims to stand-by dimming level after hold-time.



The light turns off automatically after stand-by time.

Detection pattern



Assembly



Settings

1. Sensitivity

Sensitivity can be adjusted by selecting the combination on the DIP switches for different applications.

I - 100%
II - 50%

	1	
I	●	100%
II	○	50%

2. Hold-time

Hold-time refers to the time period that the light remains 100% on if no more movement is detected.

I - 5s
II - 90s
III - 3min
IV - 10min

	2	3	
I	●	●	5s
II	●	○	90s
III	○	●	3min
IV	○	○	10min

3. Daylight threshold

Different daylight threshold can be preset on DIP switches. Light will always turn on upon movement if daylight sensor is disabled.

I - Disable
II - 50Lux
III - 10Lux
IV - 2Lux

	4	5	
I	●	●	Disable
II	●	○	50Lux
III	○	●	10Lux
IV	○	○	2Lux

4. Stand-by time

This is the time period that the light remains at a low level before it is completely turned off.

I - 0s
II - 10s
III - 10min
IV - +∞

	6	7	
I	●	●	0s
II	●	○	10s
III	○	●	10min
IV	○	○	+∞



5. Stand-by dimming level

Light can be dimmed to different levels after hold-time.

I - 10%
II - 30%



8	
I ●	10%
II ○	30%

6. Output current

Output current selection.

I - 350mA
II - 300mA



NC	350mA
NO	300mA

Specification

Operating voltage	220 ~ 240VAC 50/60Hz
Input current	105mA(220Vac)&98mA(240Vac)
Input power	22W(Max)
Sensitivity	50% /100%
Hold-time	5s / 90s / 3min / 10min
Daylight threshold	2lux / 10Lux / 50Lux / disable
Stand-by period	0s / 10s / 10min / +∞
Stand-by dimming level	10% / 30%
Microwave frequency	5.8GHz +/- 75MHz
Microwave power	<0.2mW
Output current	300mA/350mA/500mA
Output voltage	24...50 Vdc
Output LED power	8-16W / 9-16W
Empty load voltage	60V
Power factor	>0.9
Power efficiency	85% (Max.)
Detection range	(diameter x height)8 x 5 米左右
Detection angle	30° ~ 150°
Operating temperature	-20°C ~ + 50°C TC: 80°C
Abnormal protection	Output short-circuit protection with auto-reset
EMC standard	EN55015
Safety standard	EN61347-1 EN61347-2-13 EN60598-1
IP rating	IP20
Certificate	Semko, CB, CE, RCM

Note:

Please note that every time the sensor / light is switched on, there is a 20sec warming up period for the unit. This warming up period is a process of calibration of software and conditioning period of ambient environment, after which sensor can establish a stable reference.

After warming up period, daylight sensor would turn off for 1sec to detect and measure ambient lux level. If natural light is sufficient, light will still keep off; if natural light is not sufficient and motion is detected, light will turn on.

